

SCIENCE OF STRENGTH



VISION

To provide excellent steel coil processing and distribution solutions to our customers.

MISSION

To provide PAN India steel coil solutions by 2025.

VALUES

- ◆ Customer-centric
- ◆ Passionate
- ◆ Constant Innovation
- ◆ Competitive prices
- ◆ Ethical practice



OUR STORY

OUR JOURNEY OF SHEER DEDICATION AND HARD WORK

It all began when **Mr Radheshyam Tak** and **Mr Shanker Lal Panwar** established Om Trading Company in 1981 with a goal to introduce world-class galvanized coils and corrugated sheets to the market.

FIRST IDEA TO OUR DREAM

During the initial times when our two founders were looking to establish bases strongly, they have identified that the per capita consumption of steel in India is very high and there is always a demand for it.

WHY METALOGIC

We at Metalogic consistently strive to supply the best quality galvanized steel coils/sheets, corrugated roofing sheets, prepainted galvanized coils/ roofing sheets and others. The best part is that our range of products is offered at the most competitive prices in the market.

QUALITY COMES FIRST: OUR PRODUCTS ARE THE HIGHEST QUALITY, AFFORDABLE, AND DRIVES DESIRED RESULTS FOR YOU.

METALOGIC SOLUTIONS

Our customized solutions are delivered with the clear purpose of causing a positive business outcome in line with a predetermined goal of making life easy for the customers. We listen to your needs and research extensively to offer solutions that meet your requirement and resolve your issues at the same time. We strive to make our bond long-term by inventing new ways to help you with our tailor-made solutions. Our leadership and manpower are always focused on bettering our outputs so that the customers have no other choice but keep coming back to us.

OUR BUSINESS ASSOCIATES



OUR PRODUCTS

Our Galvanized steel products are the most effective and economical means to protect steel surfaces from the corrosive environment.



GALVANIZED COILS

Our Galvanized Coils are primarily used in Automotive body & components drums, barrels, pipes and tubes and white goods

THICKNESS : 0.15MM to 3MM

GRADE : 240MPA / 340MPA / 550 MPA

ZINC : 100GSM / 120GSM / 275GSM

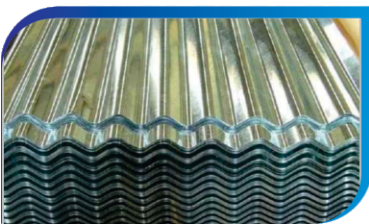


GALVANIZED SHEETS

Our Galvanized sheets are primarily used for false sealing channels manufacturing, Drums, Barrels, Cable trays, Bus body, Cabinet body, HVAC sector, and many among them.

THICKNESS: 0.30MM TO 3MM **WIDTH**: 350MM TO 1600MM

LENGTH: 350MM TO 4000MM



GALVANIZED CORRUGATED ROOFING SHEETS

Our Galvanized Corrugated Roofing Sheets find application in Barricading, Cladding, Facades and Roofing.

THICKNESS: 0.15MM - 0.50MM

GRADE: 240MPA/340MPA / 550MPA **WIDTH**: 720MM - 1200MM

THICKNESS: 0.55MM - 1.0MM

GRADE: 240MPA / 340MPA **WIDTH**: 720MM - 1200MM

SWAMY INDUSTRIES

We have established our first service center in the year 1995 and a small unit in the name of Swamy industries that comprises a cut-to-length machine and a coil storage facility. It grew in leaps and bounds now bringing us many repeated customers. Swamy Industries has become a pioneer warehousing service center basing its operations in the city of Hyderabad. Here we perform various processes on steel coils like



COILS CUT TO LENGTH

THICKNESS : 0.15MM TO 3MM

WIDTH : 350MM / 410MM / 750MM / 900MM / 1000MM / 1220MM / 1250MM / 1320MM / 1500MM / 1650MM

LENGTH : 350MM / 762MM / 1500MM / 2000MM / 2440MM / 2500MM / 3660MM / 4270MM



COILS SLITTING

THICKNESS : 0.25MM TO 3MM

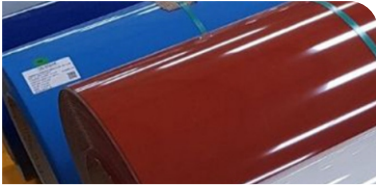
SLITT WIDTH: 0.25MM TO 410MM

INTERNATIONAL STEEL INDUSTRIES

To our consistently performing products in Steel Coil Processing, We have added more products called Colour Coated Coils / Roofing Sheets, C and Z Purlins, Floor Decking sheets. This product has turned out to be an instant success and we started supplying in peb's within India.

Our innovation has opened up opportunities in the year 2003 with the boom in the pre-engineering building where colour-coated coils and roofing sheets were much in demand. Our products have extended to all districts of Telangana & Andhra Pradesh and later in 2005, our manufacturing unit named International Steel Industries was founded under the able leadership of founders.

COLOUR COATED COIL



- ▶ CONSTRUCTION
- ▶ HOUSEHOLD APPLIANCES
- ▶ TRANSPORT
- ▶ INDUSTRY / MISCELLANEOUS

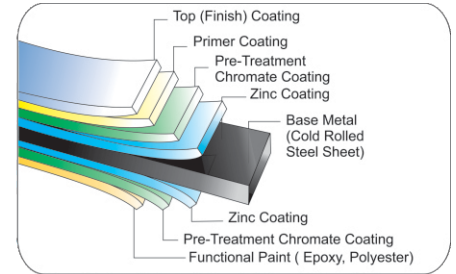
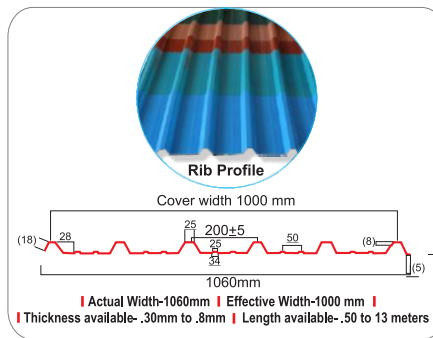
COLOUR COATED PROFILE SHEETS

Product Range



- Color Coated Galvanised Steel
- Al-Zn Alloy Coated Steel Combination - 55% Aluminum, 43.4% Zinc & 1.6% Silicon
- Pre-painted Al-Zn Alloy Coated Steel




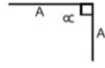

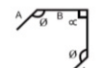

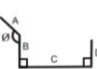

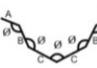
Roof and Wall Panel




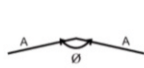
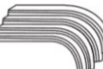
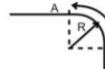


Product Features

1. Economical Roof Profile with Excellent design flexibility.
2. 200 mm pitch for easy water shedding.
3. Available in 0.47, 0.50, 0.55, 0.60mm thickness.
4. Cover width Rib in 1000 mm & Clad in 1060 mm available upto 13 m in length.
5. Special side lap corrugation gives extra support at panel overlap

METALOGIC-PLAIN ACCESSORIES

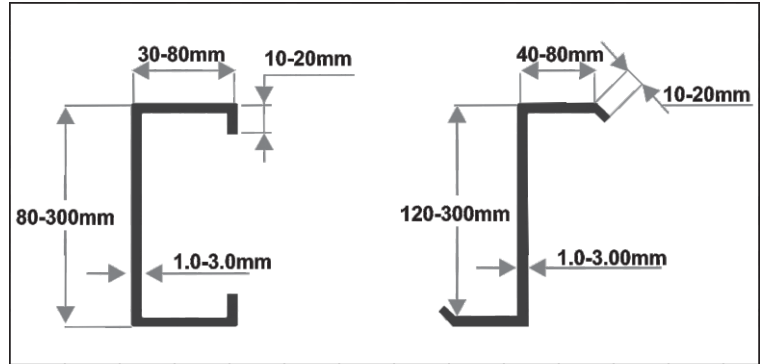
PLAIN RIDGE			A = 300/400/600 mm θ = Roof Angle (Min 45°) L = 2440mm Max.
BARE BOARD			A = 200/300 mm α = 90° L = 2500 mm Max.
CORNER FLASHING			A = 30 mm B = 120 mm θ = 120° α = 90° L = 2500 mm Max.
END EAVE GUTTER			A = 100 mm B = 175 mm C = 120 mm, D = 200 mm L = 2500 mm Max. α & θ = As per Requirement
VALLEY GUTTER			A = 150 mm B = 250 mm C = 200 mm, D = 200 mm L = 2440 mm Max. θ = As per Requirement

METALOGIC-PROFILE ACCESSORIES

PROFILE RIDGE			θ = 140 min. FOR UPTO 0.50 mm THK θ = 150 min. FOR UPTO 0.60 mm THK W = 1087/1126 mm mm, D = 200 mm (Effective Width = 1000/1060 mm)
PROFILE NORTHLIGHT CURVATURE			A = 1000 mm B = 1150 mm Max. C = 1000 Max. R = Min. 200 mm Max. 600 mm W = 1087 mm/1126 mm (Effective Width = 1000/1060 mm)
PROFILE CURVATURE			R = Min. 600 mm Length = 4500mm Max. W = 1087 mm/1126 mm (Effective Width = 1000/1060 mm)

C AND Z PURLINS

QUALITY STEEL PURLINS
 STRONG, RELIABLE,
 HIGH QUALITY PURLIN



A complete range of structural C and Z purlins for industrial buildings, garages, verandahs, and carports, in fact anywhere that strong, reliable steel framing is required. Manufactured from quality galvanized steel, this is a fully integrated system allowing for flexible design options.

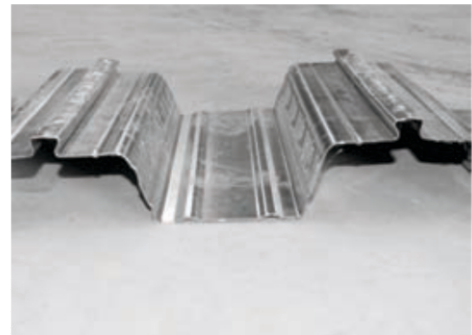
Supplied plain or punched, galvanized purlins are manufactured from high tensile steel for increased strength,

THICKNESS: 1.0MM-3.0MM **GRADE:** 340MPA/550MPA **ZINC:** 120GSM/275GSM

ACCESSORIES: Sag Rods, Cleats, Sleeves, Eve Struts will be supplied along with Purlins

FLOOR DECKING SHEETS

A Floor Decking Sheet is manufactured using galvanized steel, thickness ranging from 0.06mm to 1.20mm. Shaped to be durable and convenient, Metalogic's Floor Decking Sheets are cost-efficient and compatible with every space.



GRADE: 340MPA/550MPA **ZINC:** 120GSM/275GSM

FEATURES



Fast Construction

It speed up time of construction.



Less Installation Time

This fast and simple installation gives immediate access to a working platform and forms a positive reinforcement



No Dependency

In case of multilayer/ Multi floor construction, it acts as composite member and as permanent shuttering does not required any support.



Reduces Cost of Construction

Tensile steel for composite slab construction that cuts down on slab thickness and dead weight of building and thus reduces the cost.



Reduction in Labour Cost

Reduction in workforce as well as construction time while carpentry work, support while RCC shuttering work avoided



Bottom Line reinforcement

One of the most economical structural decking when concrete hardens it acts as a bottom-line reinforcement



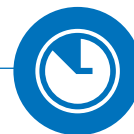
Suitable for application

It provides widest cover per weight of steel and minimizes the requirement of reinforcement



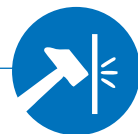
Does not require external Support

Temporary propping bally /steel vertical bottom arrangement for holding up concrete can be eliminated.



Span Coverage

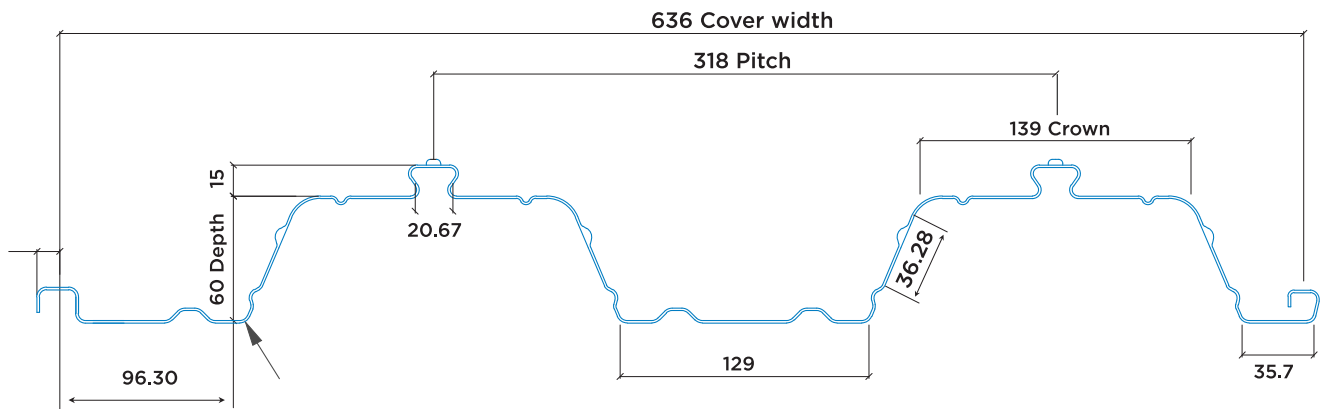
Suitable till 4-meter Span, hence, reduces steel quantity.



Much Better Longevity

Steel decking will not twist and warp over time and is resilient to weather, moisture, time and pest deterioration.

TECHNICAL DATA SHEET



Metalogic Slab Volume & Weight

Slab Depth (mm)	Volume (m ³ /m ²)	Weight of Concrete (kN/sq.m)			
		Nominal Weight concrete		Light Weight Concrete	
		Wet	Dry	Wet	Dry
120	0.0873	2.1825	2.0952	1.746	1.6587
130	0.0973	2.4325	2.3352	1.946	1.8487
140	0.1073	2.6825	2.5752	2.146	2.0387
150	0.1173	2.9325	2.8152	2.346	2.2287
160	0.1273	3.1825	3.0552	2.546	2.4187
170	0.1373	3.4325	3.2952	2.746	2.6087
180	0.1473	3.6825	3.5352	2.946	2.7987
190	0.1573	3.9325	3.7752	3.146	2.9887
200	0.1673	4.1825	4.0152	3.346	3.1787
250	0.2173	5.4325	5.2152	4.346	4.1287

Notes

- Deck and beam deflection (ie, ponding) is not included in the table.
- Deck and mesh weight is not included in the weight of concrete figures.
- Density of concrete is taken as:
 Normal weight (wet) 25kN/m³
 Normal weight (dry) 24kN/m³
 Lightweight (wet) 20kN/m³
 Lightweight (dry) 19kN/m³

Metalogic Section Properties

Nominal Thickness (mm)	Design Thickness (mm)	Grade of Steel (N/mm ²)	Profile Weight (kN/m ²)	Area of Steel (mm ² /m)	Height of Neutral Axis (mm)	Elastic moment of Inertia (cm ⁴ /m)	Ultimate Moment of Resistance kN.m
0.8	0.76	350	0.085	1100	33.68	63	8.4
0.9	0.86	350	0.1	1246	33.73	71	9.5
1	0.96	350	0.11	1390	33.78	79	10.5
1.1	1.06	350	0.12	1535	33.83	87	11.6
1.2	1.16	350	0.13	1680	33.88	96	12.7

With an efficient multi-layered coating to counter weather problems, we made our Floor Decking Sheets corrosion-free in any situation. These Floor Decking Sheets are easy to maintain with optimum space utilization. Providing Galvalume and Galvanized curved roofing sheets ensured no hassle with an aesthetic look encompassed with various colors to meet the client's needs.

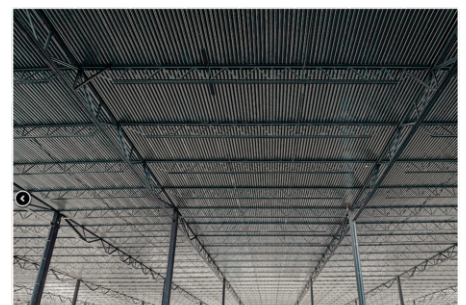
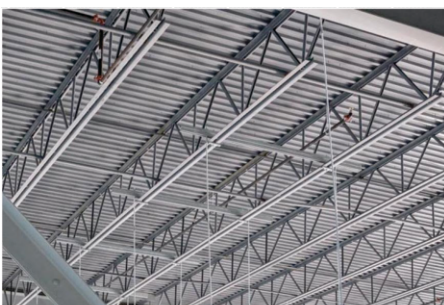
We deal with premium quality steel in manufacturing the Floor Decking Sheet allowing us to provide top-notch products with furnished aesthetics at the lowest cost possible on comparing with the industry.

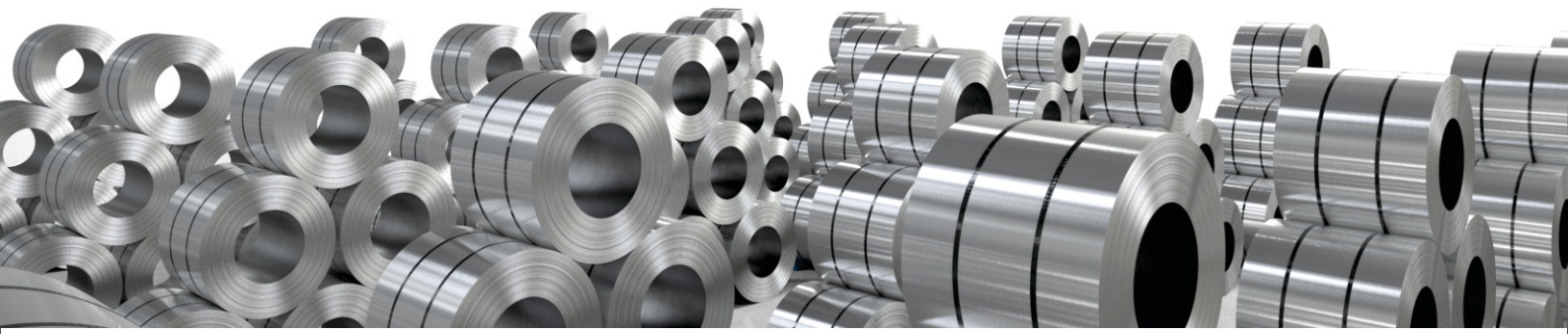
ADVANTAGES OF USING FLOOR DECKING SHEETS:

- ☒ **Strong and Simple**
- ☒ **Cost-efficient**
- ☒ **Easy-to-transport**
- ☒ **Can be used anywhere**
- ☒ **High durability**
- ☒ **Weather resistance**
- ☒ **Corrosion resistance**
- ☒ **High efficiency**
- ☒ **Easy installation**
- ☒ **Using premium quality steel makes our Floor Decking Sheets strong and reliable.**



With world-class material and best-in-industry manufacturing, we at **Metalogic** build decorous Floor Decking Sheets at affordable pricing.





**MANUFACTURING FACILITY
INTERNATIONAL STEEL INDUSTRIES**

International Steel Industries Sy No:96, Nh7, Kompally, Opp Big Bazar Kompally,
Medchal Dist, 500010, Hyderabad, Telangana, India.

+91 9246215542

REG OFFICE – ADDRESS

Shop No:7, Kabra Complex, Mg Road
Secunderabad 500003, Hyderabad, Telangana, India.

040 27715548 / 040 27714052

SERVICE CENTERS

SWAMY INDUSTRIES-UNIT I

Sy No:173,175, Burtionguda, Machabollarum Bollarum Station Road,
Kompally, Medchal Dist 500010, Hyderabad, Telangana, India.

040 27942345 / 9246215549

SWAMY INDUSTRIES-UNIT II

Sy No: 285,286,287,288, PlotNo:23,24, beside Haryana Weigbridge Phase V,
Jeedimetla, Hyderabad, Telangana, India.

+91 91 9246215541